

VARIO LIGHTHOUSE KIT



Fully Integrated Lighting and Housing Solution

VARIO Lighthouse Kit (VLK) is a fully integrated lighting and housing solution designed for easy camera integration, quick and easy mounting with the ability to mount up to two IP or analogue cameras.

VLK provides two integrated VARIO LED illuminators, available in Infra-Red, White-Light or Hybrid. Lighting and cameras can be used together for a variety of applications including CCTV, ANPR/LPR and thermal. The VLK Control Interface delivers the highest level of flexibility and control for meeting exact operational requirements for outstanding 24/7 performance. Lighting can be easily configured for activation via photocell or on demand via camera or external input (e.g. on detection of motion). Lighting on demand delivers real savings through reduced electrical consumption and when using White-Light provides a powerful, visible deterrent. The integrated photocell can be used to trigger switching of camera day/night mode in conjunction with the illuminators.

VLK provides integrated bracketry for easy mounting. It is cable managed and pre-wired with power/aux cable and CAT5e cable. PoE for the cameras is available using an external PoE source (not supplied). An optional VARIO PSU is available to provide 24V AC/DC and the option for Cat5e termination.

VARIO illuminators offer interchangeable lenses with angles of 10, 35 and 60 degrees out of the box. Other angles are available on request. The interchangeable lenses, incorporating VARIO's hot-spot reduction technology (HRT), provide the flexibility to easily alter the output angle of illumination whilst maximizing performance and efficiency. VLK also offers Adaptive Illumination™ for even greater flexibility to adapt the horizontal beam angle.

An optional VARIO remote control provides the ability to set-up the illuminators quickly and safely from ground level.

At a Glance

- Fully integrated lighting and housing solution
- LED illumination up to 220m (722ft) IR and 150m (492ft) WL
- Accommodates up to 2 Cameras: IP or Analogue
- Infra-Red, White-Light or Hybrid LED illuminators
- Integrated Control Interface
- Cable managed, integrated bracket and fully pre-wired
- Interchangeable Lensing
- VARIO Remote Control (optional)
- Adaptive Illumination™
- Optional VARIO PSU
- Optional Germanium Window for Thermal Cameras

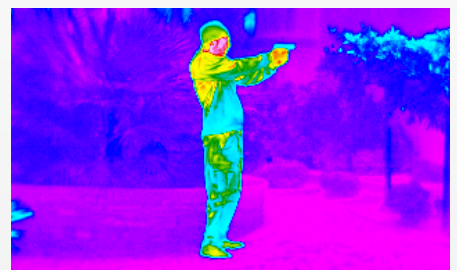
CCTV



ANPR/LPR

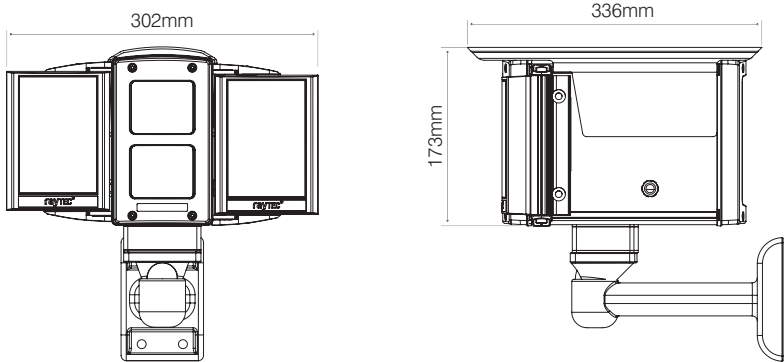


Thermal



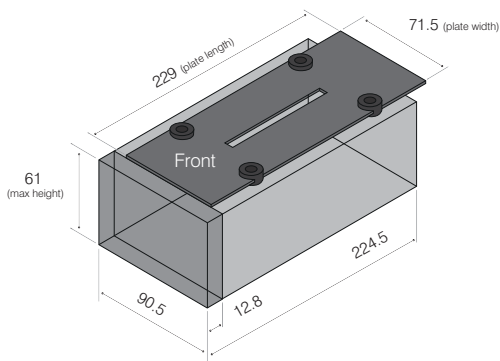
Product Dimensions

External Dimensions

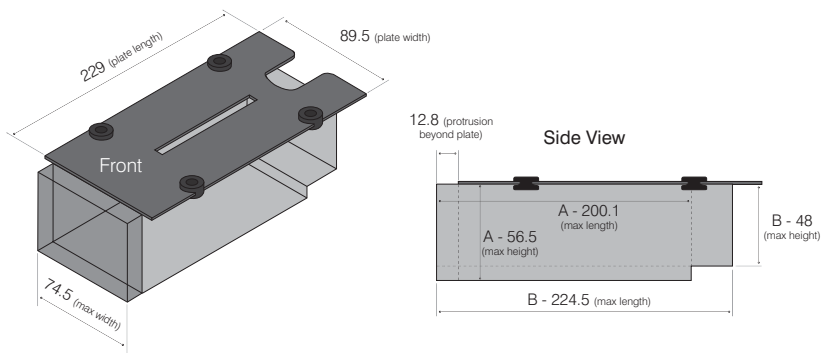


Internal Camera Space Dimensions (mounting plates provided)

Top Maximum Camera Space
224.5 x 61 x 90.5mm (L x H x W)



Bottom Maximum Camera Space
Option A - 200.1 x 56.6 x 74.5mm (L x H x W) Option B - 224.5 x 48 x 74.5mm (L x H x W)



Features

- Accommodates up to 2 Cameras: IP or Analogue
- Infra-Red, White-Light or Hybrid LED illuminators
- Integrated Control Interface
- Cable managed, integrated bracket and fully pre-wired
- VARIO Interchangeable lensing
- Hot-spot Reduction Technology
- VARIO Remote Control

Benefits

- Designed for a variety of uses. Ideal for CCTV, ANPR/LPR, machine vision and thermal camera applications.
- Lighting solutions to suit all requirements.
- Flexible set up enables the user to achieve exact application requirements. Easily configured camera and lighting integration. Lighting triggered on demand via camera, detector or alarm – and many more integration scenarios.
- Easy mounting and installation, quick and convenient to wire and set up
- Angle of illumination can be easily, quickly and precisely adjusted by changing the VARIO holographic lens insert, to match the specific camera field of view.
- HRT delivers a highly diffused, elliptical beam shape to help cameras achieve superior images at night and generate longer illumination distances, whilst reducing light and energy wastage and preventing the overexposure of foreground objects.
- Allows set up quickly and safely from ground level and provides access to advanced set up features. Reduces both cost and time of installation.

5 YEAR WARRANTY

All Raytec luminaires are provided with an industry leading 5 year warranty and have an expected useful life in excess of 10 years



Technical Specifications

VLK Unit (lighting and housing)

Input	15-24V AC/DC
Total VLK Consumption	59W 2 illuminators 48W camera 6W (typical) camera heater 5W
Weight	4.6kg (10lbs) including wires and bracket
Dimensions (LxWxH)	336 x 302 x 173mm (13.2 x 11.9 x 6.8") (excluding bracket)
Internal Camera Space Dimensions	See Page 2 Diagram
Drilling Dimensions	4 x M5 holes 40x62mm (1.57 x 2.44")
Cable	Cat5e 8 x 24AWG and Power/Aux 6-core
Cable Length	4m(13ft)
Colour	Black
Environmental	IP66
Temp Range	-50 to +50°C (58°F to 122°F)
Illumination Angle	Standard pack includes 10 circular + 35 x 10 (fitted as standard) and 60 x 25 elliptical lenses Additional optional lenses: 80 x 30 and 120 x 50
Optics	SMT LED's
Wavelength	850nm or 940nm or White-Light (Hybrid options available)

Bracketry

- Integrated cable managed wall bracket provided as standard. Fully pre-wired.
- Optional pole mount and wall mount brackets available – contact Raytec

Integrated Command and Control Technology

Integrated Standard Features	<ul style="list-style-type: none"> • In-built photocell for automatic on/off operation • LED status indicator provides status on performance of the unit • Photocell following output
Integrated Advanced Features (accessed via VARIO remote control)	<ul style="list-style-type: none"> • Power adjust from 20-100% • Photocell sensitivity adjust • Timer function (up to 30 mins) • Telemetry control • Remote Dimming • LED status indicator on/off • Restore factory default settings

Optional VARIO PSU (to power VLK illuminators and cameras)

- 100-230V AC Input
- Max Consumption 100W
- 24V Output
- Cat5e Termination and connections for input/output

Product Codes

Part Codes	Description	Angles	Distances*
VAR-VLK-i4-2	VARIO Lighthouse Kit, 2x 850nm, 3 angle options, Cat5e and power/aux cable	10 x 10°	220m (722ft)
		35 x 10°(fitted as standard)	120m (394ft)
		60 x 25°	65m (213ft)
		80 x 30° (optional)	45m (148ft)
		120 x 50° (optional)	30m (98ft)
VAR-VLK-w4-2	VARIO Lighthouse Kit, 2x White-Light, 3 angle options, Cat5e and power/aux cable	10 x 10°	150m (492ft)
		35 x 10°(fitted as standard)	80m (262ft)
		60 x 25°	45m (148ft)
		80 x 30° (optional)	30m (98ft)
		120 x 50° (optional)	20m (66ft)

Hybrid and Covert IR (940nm) options available – contact Raytec

Single LED panel options available – contact Raytec

* camera and lens dependent

Thermal Lighting and Housing Solution available

For thermal camera installations change above codes to 'TLK' – e.g. VAR-TLK-i4-2

TLK versions will be provided with one germanium window front cover in the bottom camera position as standard (contact Raytec for different set-up)

Optional Parts

VAR-PSU-2x8	VARIO PSU - 24V, 100W, 2xO/P
VAR-rc-V1	Remote Control for any VARIO illuminator (only 1 remote needed)
VAR-i4-LENS-8030	Individual VARIO lens for IR or WL – 80H x 30V
VAR-i4-LENS-12050	Individual VARIO lens for IR or WL – 120H x 50V
VAR-VLK-patch	IP camera Cat5 patch cable (one per camera)