

# rayMAX 100 PLATINUM<sup>®</sup>

ULTIMATE LONG RANGE ILLUMINATION

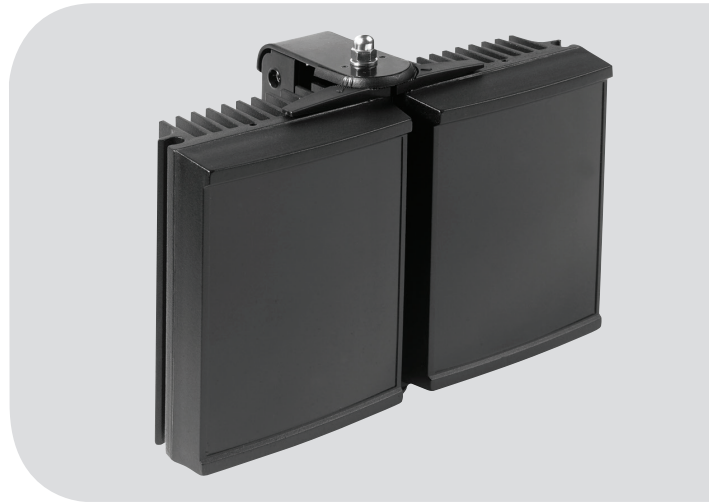
## ULTRA HIGH POWER INFRA-RED

The RM100 PLATINUM is the latest generation of the RAYMAX series, **designed specifically for long distance or wide angle applications.** RM100-PLT provides World class performance, long life and zero maintenance. RM100-PLT incorporates the very latest surface mount LED's to deliver excellent night-time pictures with improved optical output and outstanding reliability.

The unique Adaptive Illumination™ concept provides the flexibility to alter the angle of illumination on site to suit specific security needs and to match the camera's field of view. RAYMAX illuminators are also purpose designed to provide even output illumination.

Each unit is fitted with Active LED Life Control to carefully control LED output, delivering consistent illumination power and a projected working life of 10 years.

RAYMAX illuminators are supplied with bracket and power supply. Control features on the power supply include adjustable power output, photocell and telemetry control. RM100-PLT is suitable for all low light installations up to 200 metres (656ft).



### ADAPTIVE ILLUMINATION™:

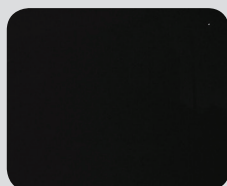


Narrow Angle



Wide Angle

### INFRA-RED IN USE:



Infra-Red off



Infra-Red on

### POWERFUL

- Distances up to 200m (656ft)
- **PLATINUM<sup>®</sup>** LED technology
- Ultra high power - Low running costs

### FLEXIBLE

- Adaptive Illumination™
- Various Angles (10° - 180°)
- Fully Controllable Power Supply

### RELIABLE

- 10 year life
- Active LED Life Control
- Vandal Resistant

### CONTROLLED

- Zero Light Pollution
- Even Output Illumination
- Semi-Covert (850nm)

### APPLICATIONS



# rayTEC<sup>®</sup>



### ADAPTIVE ILLUMINATION™

Adaptive Illumination™ allows the installer to adjust the angle of the light projection from a single unit to fit the specific demands of any installation. Adjustment is quick and convenient and any angle up to 180 degrees (depending on model) is easily selectable. Adaptive Illumination is patent pending technology available exclusively from Raytec.



### PLATINUM ADVANCED LED TECHNOLOGY

PLATINUM illuminators use cutting edge SMT LED technology together with Light Intensification Miniature Optics (LIMO™) and an enhanced Cool Running™ thermal management system into a single high performance LED. The result is World leading power, reliability and flexibility.



### ACTIVE LED LIFE CONTROL

All Raytec illuminators employ cutting edge materials science techniques to improve thermal efficiency throughout the unit and ensure continuity of LED power. The New Advanced Cool Running™ system draws heat away from the LEDs, shielding the LED from abnormal stress, and allows Raytec LED products to deliver outstanding performance and consistency of illumination throughout the operational life of the illuminator.



### VANDAL RESISTANT

The polycarbonate lens design protects against severe blows from crowbars, baseball bats and can even withstand successive shots from air pistols and rifles (range dependant).



### ENERGY SAVING

All Raytec illuminators use high efficiency LED's and advanced control methods to deliver extremely low electrical consumption. Raytec illuminators are energy saving and deliver huge savings in running costs compared to traditional bulb illuminators.



### HIGH DEFINITION LIGHTING

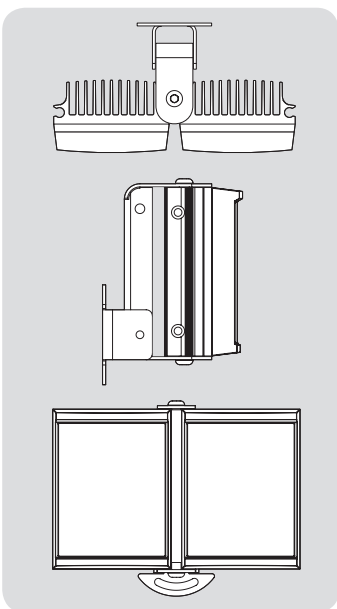
High Definition Lighting allows cameras to provide crystal clear, high signal images during the hours of darkness. The breakthrough in HD lighting is made possible with Raytec's high power LED technology delivering increased power on scene. High definition cameras require high definition lighting.

## 5 YEAR WARRANTY

All Raytec CCTV illuminators are provided with a 5 year warranty, unmatched anywhere in the CCTV lighting industry. Raytec illuminators provide guaranteed long life!



## TECHNICAL SPECIFICATIONS



#### ILLUMINATOR

**Max Distance:** up to 200m (656ft)  
**Angle:** Various - See Part Codes  
**Optics:** SMT LED's  
**Consumption:** 50W max (1 x RM100-PLT)  
**Voltage:** 13.5V current controlled  
**Weight:** 2.5kg (5.5lbs)  
**Environmental:** IP66  
**Temp Range:** -50 to +50°C (-58 to 122°F)  
**Cable Length:** 2.5m  
**Colour:** Black  
**Wavelength:** 850nm  
**Dimensions:** 210 x 150 x 65mm  
 8" x 6" x 3" approx.

#### BRACKETRY

U Bracket and Adaptive Illumination bracket included.  
 Optional pole mount and wall mount brackets available

#### POWER SUPPLY

**Input:** Universal 100-230V AC auto-sensing  
**Output:** ~80W max  
**Temperature:** -50 to +50°C (-58 to 122°F)  
**Weight:** 1.8Kg (4lbs)  
**Dimensions:** 160mm x 160mm x 90mm  
 6" x 6" x 4" approx.

#### Standard PSU (included)

Adjustable photocell  
 Adjustable power output for IR  
 Telemetry Control

#### Optional Upgrade: PRO Series PSU

PRO series PSU with optional PRO IQ and PRO Pulse plug-in modules provides user defined multi-function settings and remote control. In addition to photocell following contact and 12V DC output, PRO series features: Ecologic energy saving setting, Perma-Light consistent power setting, remote dim and boost, as well as deterrent, pulse and timer functions.

#### PART CODES & DISTANCES

PART CODES & DISTANCES			NARROW ANGLE	WIDE ANGLE
RM100-PLT-AI-10	RAYMAX 100 PLATINUM, 10-20 degree	AI, 850nm + PSU	150m (492ft)	100m (328ft)
RM100-PLT-AI-30	RAYMAX 100 PLATINUM, 30-60 degree	AI, 850nm + PSU	130m (427ft)	90m (295ft)
RM100-PLT-AI-50	RAYMAX 100 PLATINUM, 50-100 degree	AI, 850nm + PSU	90m (295ft)	58m (190ft)
RM100-PLT-AI-120	RAYMAX 100 PLATINUM, 120-180+ degree	AI, 850nm + PSU	50m (164ft)	33m (108ft)