

RESULH4-L1

Unmanaged Industrial Ethernet Switch with PoE++ 5 Copper Ports, 48V input



The Raytec RESULH4-L1 series is a 5-port, unmanaged industrial switch with 4 of the ports supplying 15.4 (IEEE802.3af POE), 25.5 (IEEE802.3at POE+) or 70 (POE++) watts of power depending on the PD device connected to the port. The switch is a Power Sourcing Equipment (PSE) device and will automatically maintain reliable power in the IEEE802.3af/at modes. The switch has user selectable switches on each port to switch between IEEE802.3af/at and POE++ modes. The switch provides connectivity for up to five 10/100Mbps twisted pair copper ports which are automatically configured.

The RESULH4-L1 series is designed for use in a wide range of operating temperatures in non-environmentally conditioned, industrial applications. It is an automatic identification effective powered device (PD) to maintain a reliable power supply and includes short circuit and overload protection.

The RESULH4-L1-W is available in a wall-mount configuration.

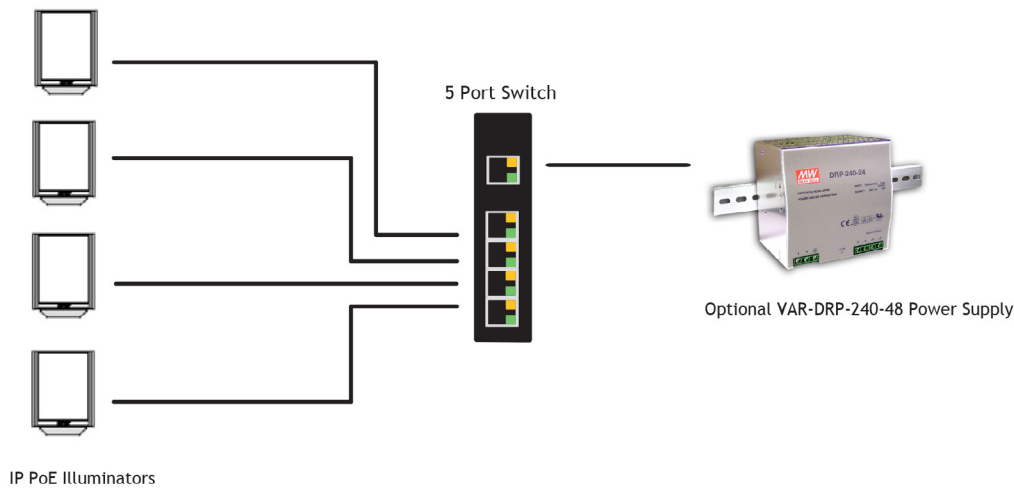
- IEEE802.3af/at POE & POE++ on 4 ports
- Supports 48Vc input
- Full & half duplex operation
- MDI/MDI-x
- 4-port IEEE 802.3.af/at/60W compliant POE for 10/100/1000 Base-T networks
- Delivers up to 70W per port simultaneously on both ports or 280W across 4 ports
- Automatically senses PD power class and single or dual PD devices.
- Status LEDs indicate power on each port
- Provide high data rate and high power, ideal for Mega-pixel cameras
- Fully transparent to Ethernet networks and higher layer protocols

Applications

- Powering Four high power PoE++ illuminators greater than 802.3at (30W)
- Powering remote PoE switches
- Ideal for high power applications such as IR Illuminators, PTZ cameras and VoIP

Raytec's RESULH4-L1 is a unique 5 port unmanaged Industrial Ethernet Switch with PoE++ designed for the most demanding power applications of 10/100/1000 Base-T networks. With the ability to provide up to 70W per port on 4 ports, it is the most cost effective method for powering high power network illuminators. The RESULH4-L1 can meet requirements of any high power PoE++ application.

Application Diagram



Technical Specifications

Standards

IEEE Standard	IEEE 802.3 10BASE-T IEEE 802.3u 100BASE-TX IEEE 802.3x Full Duplex
---------------	-----------------------------------------------------------------------------

Switch Performance

Switching Method	Store & forward
Max Filter Rate	148 810 pps
Data Rate	148 810 pps
Mac Address Table	1K
Memory Buffer	512kbytes

PoE

Standard	IEEE802.3af/at PoE &PoE++ Switch selectable per port.
Power Supply (Per Port)	15.4/25.5/70W max

Power

Power input	48Vdc
Consumption	3W
Power Supply	Supplied Separately

Mechanical

Dimensions (L x W x H)	144 x 105 x 55mm / 5.57 x 4.12 x2.14"
Weight	500g
Installation	Wall-mount

Environmental

Operating Temperature	-40° - +70°C / -40 - +158°F
Storage Temperature	-40° - +85°C / -40 - +185°F
Operating Humidity	5 - 95% no-condensing
Mean Time Before Failure (MTBF)	>70 000hrs

Connectors

10/100 Electrical	5 x RJ45
Power	3-way screw block terminal

Product Codes

Part Code	Description
RESULH4-L1-W	Unmanaged Industrial Ethernet Switch with PoE++ 5 Copper Ports, 48V input

5 YEAR WARRANTY

All Raytec luminaires are provided with an industry leading 5 year warranty and have an expected useful life in excess of 10 years

